

GW ...E/...DB9

Universal gateways and device servers



Data sheet
3750_en_C

© PHOENIX CONTACT 2019-03-20

1 Description

Ethernet gateways and device servers from Phoenix Contact provide a simple way to migrate legacy, serial devices and buses to modern Ethernet networks. Variants are available with one, two, or four D-SUB 9 serial ports and one or two RJ45 Ethernet ports.

Start-up and configuration are simple using an embedded web server, and communication is kept secure with 256-bit AES encryption and optional authentication. With a wide operating temperature range (-40 to +70°C) and hazardous area approvals, the device servers and gateways are suitable for use in any industry.

The most common industrial protocols are supported, with various combinations of RAW/ASCII serial data, Modbus[®] RTU, TCP/IP, Modbus TCP, PROFINET IO, and EtherNet/IP[™] technology.

2 Features

- 256-bit AES encryption for secure transfer of sensitive data
- Web-based management (WBM) configuration
- Comprehensive diagnostics for fast and easy troubleshooting
- Compact DIN rail-mount form factor
- COM port redirector software and Windows[®] operating system COM port drivers



Make sure you always use the latest documentation. It can be downloaded at phoenixcontact.net/products/.



This document is valid for all products listed in the “Ordering data” on page 5

3 Selection guide

A variety of different gateways and device servers are available in four different port combinations.

Description	Ethernet ports (RJ45)	Serial ports (D-SUB 9)
GW... 1E/1DB9	one	one
GW... 1E/2DB9	one	two
GW... 2E/2DB9	two	two
GW... 2E/4DB9	two	four

The serial ports are universal RS-232/422/485.

Device server

The GW DEVICE SERVER... migrates legacy serial devices to modern Ethernet networks. With the aid of virtual communication ports, existing application software that only support serial communication can be redirected to the network card of a computer with a Windows® operating system.

The COM Port redirector software, as well as a Windows driver, is available for integration with a PC application free of charge.

Modbus RTU to Modbus TCP

The GW MODBUS TCP/RTU... converts serial-based Modbus RTU (or ASCII) to Modbus TCP. These modules are extremely powerful and can be configured to almost any combination of Modbus client and server, including a shared memory configuration, allowing two Modbus masters (clients) to communicate with each other. Device ID aliasing is also supported to create a "virtual" Modbus ID for Modbus slaves that do not have configurable Modbus addresses.

EtherNet/IP™ to Modbus

The GW EIP/MODBUS... enables bidirectional communication between EtherNet/IP and Modbus protocols. Simple integration into major manufacturer's fully CIP-compliant controllers using implicit messaging, explicit messaging, or directly read and write to a tag or file. Supports communication with Modbus RTU/ASCII/TCP masters and slaves.

ASCII to Modbus TCP

The GW MODBUS TCP/ASCII... converts RAW or ASCII serial strings from barcode scanners, weigh scales, RFID tags, etc., into Modbus registers. Filtering rules may be created in the gateways in order to mask start and stop delimiters of a bar code, for example, to simplify integration into a programmable controller.

ASCII to EtherNet/IP™

The GW EIP/ASCII... converts RAW or ASCII serial strings from barcode scanners, weigh scales, RFID tags, etc., into EtherNet/IP. Filtering rules may be created in the gateways in order to mask start and stop delimiters of a bar code, for example, to simplify integration into a programmable controller.

ASCII to PROFINET IO

The GW PN/ASCII... convert RAW or ASCII serial strings from barcode scanners, weigh scales, RFID tags, etc., into PROFINET IO. Filtering rules may be created in the gateways in order to mask start and stop delimiters of a bar code, for example, to simplify integration into a programmable controller.

Protocol A	Protocol B				
	Modbus TCP master	Modbus RTU/ASCII master	Encapsulated in TCP/IP or UDP/IP	EtherNet/IP	PROFINET IO
Modbus TCP master	2	2	2	6	–
Modbus TCP slave	2	2	2	6	–
Modbus RTU/ASCII master	2	2	2	6	–
Modbus RTU/ASCII slave	2	2	2	6	–
Serial RAW/ASCII	3	3	1	4	5
Ethernet RAW/ASCII	3	3	–	4	5

1	GW DEVICE SERVER...
2	GW MODBUS TCP/RTU...
3	GW MODBUS TCP/ASCII...
4	GW EIP/ASCII...
5	GW PN/ASCII...
6	GW EIP/MODBUS...

Table of contents

1	Description.....	1
2	Features	1
3	Selection guide	2
4	Ordering data.....	5
5	Technical data	8
5.1	Block diagram	9
5.2	Structure.....	10
6	Installation	10
6.1	LEDs	10
6.2	Data interfaces	10
7.1	Web-based management.....	12
7.2	Resetting the GW ...E/...DB9.....	12
8	Application examples.....	13
8.1	GW DEVICE SERVER.....	13
8.2	GW MODBUS TCP/RTU.....	14
8.3	GW EIP/MODBUS.....	15
8.4	GW MODBUS TCP/ASCII.....	16
8.5	GW EIP/ASCII.....	16
8.6	GW PN/ASCII.....	17

4 Ordering data

Products

Description	Type	Order No.	Pcs./Pkt.
Serial device server for converting serial data (RS-232/422/485) to Ethernet data (RJ45). Supports TCP and UDP protocols. COM port redirector software and Windows drivers are available for download. Includes one RJ45 port and one D-SUB 9 port.	GW DEVICE SERVER 1E/1DB9	2702758	1
Serial device server for converting serial data (RS-232/422/485) to Ethernet data (RJ45). Supports TCP and UDP protocols. COM port redirector software and Windows drivers are available for download. Includes one RJ45 port and two D-SUB 9 ports.	GW DEVICE SERVER 1E/2DB9	2702760	1
Serial device server for converting serial data (RS-232/422/485) to Ethernet data (RJ45). Supports TCP and UDP protocols. COM port redirector software and Windows drivers are available for download. Includes two RJ45 port and two D-SUB 9 ports.	GW DEVICE SERVER 2E/2DB9	2702761	1
Serial device server for converting serial data (RS-232/422/485) to Ethernet data (RJ45). Supports TCP and UDP protocols. COM port redirector software and Windows drivers are available for download. Includes two RJ45 ports and four D-SUB 9 ports.	GW DEVICE SERVER 2E/4DB9	2702763	1
The GW MODBUS TCP/RTU... gateway converts serial based Modbus RTU (or ASCII) to Modbus TCP. Supports serial master or slave devices. Includes one RJ45 port and one D-SUB 9 port.	GW MODBUS TCP/RTU 1E/1DB9	2702764	1
The GW MODBUS TCP/RTU... gateway converts serial based Modbus RTU (or ASCII) to Modbus TCP. Supports serial master or slave devices. Includes one RJ45 port and two D-SUB 9 ports.	GW MODBUS TCP/RTU 1E/2DB9	2702765	1
The GW MODBUS TCP/RTU... gateway converts serial based Modbus RTU (or ASCII) to Modbus TCP. Supports serial master or slave devices. Includes two RJ45 ports and two D-SUB 9 ports.	GW MODBUS TCP/RTU 2E/2DB9	2702766	1
The GW MODBUS TCP/RTU... gateway converts serial based Modbus RTU (or ASCII) to Modbus TCP. Supports serial master or slave devices. Includes two RJ45 ports and four D-SUB 9 ports.	GW MODBUS TCP/RTU 2E/4DB9	2702767	1
The GW MODBUS TCP/ASCII... converts RAW or ASCII serial strings into Modbus registers. Includes one RJ45 port and one D-SUB 9 port.	GW MODBUS TCP/ASCII 1E/1DB9	2702768	1
The GW MODBUS TCP/ASCII... converts RAW or ASCII serial strings into Modbus registers. Includes one RJ45 port and two D-SUB 9 ports.	GW MODBUS TCP/ASCII 1E/2DB9	2702769	1
The GW MODBUS TCP/ASCII... converts RAW or ASCII serial strings into Modbus registers. Includes two RJ45 ports and two D-SUB 9 ports.	GW MODBUS TCP/ASCII 2E/2DB9	2702770	1
The GW MODBUS TCP/ASCII... converts RAW or ASCII serial strings into Modbus registers. Includes two RJ45 ports and four D-SUB 9 ports.	GW MODBUS TCP/ASCII 2E/4DB9	2702771	1

Products [...]

Description	Type	Order No.	Pcs./Pkt.
The GW EIP/ASCII... converts RAW or ASCII serial strings into EtherNet/IP™ protocol. Includes one RJ45 port and one D-SUB 9 port.	GW EIP/ASCII 1E/1DB9	2702772	1
The GW EIP/ASCII... converts RAW or ASCII serial strings into EtherNet/IP™ protocol. Includes one RJ45 port and two D-SUB 9 ports.	GW EIP/ASCII 1E/2DB9	2702773	1
The GW EIP/ASCII... converts RAW or ASCII serial strings into EtherNet/IP™ protocol. Includes two RJ45 ports and two D-SUB 9 ports.	GW EIP/ASCII 2E/2DB9	2702774	1
The GW EIP/ASCII... converts RAW or ASCII serial strings into EtherNet/IP™ protocol. Includes two RJ45 ports and four D-SUB 9 ports.	GW EIP/ASCII 2E/4DB9	2702776	1
The GW PN/ASCII... converts RAW or ASCII serial strings into PROFINET IO protocol. Includes one RJ45 port and one D-SUB 9 port.	GW PN/ASCII 1E/1DB9	1021080	1
The GW PN/ASCII... converts RAW or ASCII serial strings into PROFINET IO protocol. Includes one RJ45 port and two D-SUB 9 ports.	GW PN/ASCII 1E/2DB9	1021058	1
The GW PN/ASCII... converts RAW or ASCII serial strings into PROFINET IO protocol. Includes two RJ45 ports and two D-SUB 9 ports.	GW PN/ASCII 2E/2DB9	1021056	1
The GW PN/ASCII...converts RAW or ASCII serial strings into PROFINET IO protocol. Includes two RJ45 ports and four D-SUB 9 ports.	GW PN/ASCII 2E/4DB9	1020882	1
The GW EIP/MODBUS... enables bidirectional communication between Modbus and EtherNet/IP. Includes one RJ45 port and one D-SUB 9 port.	GW EIP/MODBUS 1E/1DB9	1062540	1
The GW EIP/MODBUS... enables bidirectional communication between Modbus and EtherNet/IP. Includes one RJ45 port and two D-SUB 9 ports.	GW EIP/MODBUS 1E/2DB9	1062423	1
The GW EIP/MODBUS... enables bidirectional communication between Modbus and EtherNet/IP. Includes two RJ45 ports and two D-SUB 9 ports.	GW EIP/MODBUS 2E/2DB9	1062388	1
The GW EIP/MODBUS... enables bidirectional communication between Modbus and EtherNet/IP. Includes two RJ45 ports and four D-SUB 9 ports.	GW EIP/MODBUS 2E/4DB9	1062380	1

Accessories

Description	Type	Order No.	Pcs./Pkt.
RS-232 cable, D-SUB 9 socket on D-SUB 9 socket, 9-wire, 1:1	PSM-KA9SUB9/BB/2METER	2799474	1
Patch cable, CAT5, assembled, 0.5 m	FL CAT5 PATCH 0,5	2832263	1
Patch cable, CAT5, assembled, 5 m	FL CAT5 PATCH 5,0	2832580	1
D-SUB 9 female connector, one cable entry <35°, universal type for all systems, pin assignment: 1, 2, 3, 4, 5, 6, 7, 8, 9 to screw connection terminal block	SUBCON 9/F-SH	2761499	1
D-SUB 9 female connector, axial version with two cable entries, universal type for all systems, pin assignment: 1, 2, 3, 4, 5, 6, 7, 8, 9 to screw connection terminal block	SUBCON-PLUS-F/AX 9	2311797	1
D-SUB 9 female connector, two cable entries < 35°, universal type for all systems, pin assignment: 1, 2, 3, 4, 5, 6, 7, 8, 9 to one screw connection terminal block	SUBCON-PLUS 9/F	2744241	1
D-SUB 9 female connector, two cable entries < 35°, bus system: CAN, SUCONET K1, K2 (MOELLER), S-BUS (Saia), J-BUS (Merlin Gerin), pin assignment: 2, 3, 4, 5, 7, 9 to two screw connection terminal blocks	SUBCON-PLUS F2	2799490	1
V.24 (RS-232) zero modem connector	PSM-AD-D9-NULLMODEM	2708753	1
Surge protection in accordance with Class EA (CAT6A), for Gigabit Ethernet (up to 10 Gbps), token ring, FDDI/CDDI, ISDN, and DS1. Suitable for Power over Ethernet (PoE+) "Mode A" and "Mode B". RJ45 attachment plug with separate grounding cable and ground connection snap-on foot for NS 35 DIN rails.	DT-LAN-CAT.6+	2881007	1
Ethernet switch, five TP RJ45 ports, automatic detection of data transmission speed of 10 or 100 Mbps (RJ45), autocrossing function	FL SWITCH SFN 5TX	2891152	1

5 Technical data

General data

Temperature range, operating	-40 ... +70°C
Temperature range, storage/transport	-40 ... +80°C
Permissible humidity, operation	10 ... 95% non-condensing
Permissible humidity, storage/transport	5 ... 95% non-condensing
Degree of protection	IP20
Housing material	PA 6.6
Color	Gray
Mounting	NS 35 rail
Height	99 mm
Width	
GW ...1E/ ...DB9	22.5 mm
GW ...2E/ ...DB9	45 mm
Depth	115 mm

Electrical data

Supply voltage range	10.8 ... 30 V DC
Typical current consumption	
GW ...1E/1DB9	48 mA
GW ...1E/2DB9	76 mA
GW ...2E/2DB9	88 mA
GW ...2E/4DB9	110 mA
Maximum current consumption	
GW ...1E/1DB9	60 mA
GW ...1E/2DB9	85 mA
GW ...2E/2DB9	100 mA
GW ...2E/4DB9	120 mA

Connection data

Connector type	Removable
Connection method	Screw
Conductor cross section (solid/stranded/AWG)	0.2 ... 2.5 mm ² /0.2 ... 2.5 mm ² /24 ... 14
Stripping length	7 mm
Screw thread	M3
Wire-clamp screw torque	0.5 ... 0.6 Nm

Data interface

Ethernet type	10/100Base-T(X) per IEEE 802.3
Ethernet connection type	RJ45
Serial interface	RS-232/422/485
Serial connection type	D-SUB 9, male
Serial port transmission speeds	0.3; 0.6; 1.2; 2.4; 4.8; 9.6; 19.2; 38.4; 58.6; 115.2; 230.4 kbps
Termination	Software configurable, 120 Ω

Conformance	
Electromagnetic compatibility	EMC Directive 2014/30/EU
Radio interference	EN 55022 EN 55024
Vibration	In accordance with IEC/EN 60068-2-6; 1g, 10 ... 150 Hz
Shock	In accordance with IEC/EN 60068-2-27; 15g, 11 ms
Noise emissions	EN 61000-6-4
Noise immunity	EN 61000-6-2:2005
EU conformance	CE-compliant
Approvals	
UL	61010-1
UL	Class I, Div. 2, Groups A, B, C, D, T4
ATEX	Demko 18ATEX 2026X: II 3 G Ex ec IIC T4 Gc
IECEX	IECEX UL 18.0023X Ex ec IIC T4 Gc

5.1 Block diagram

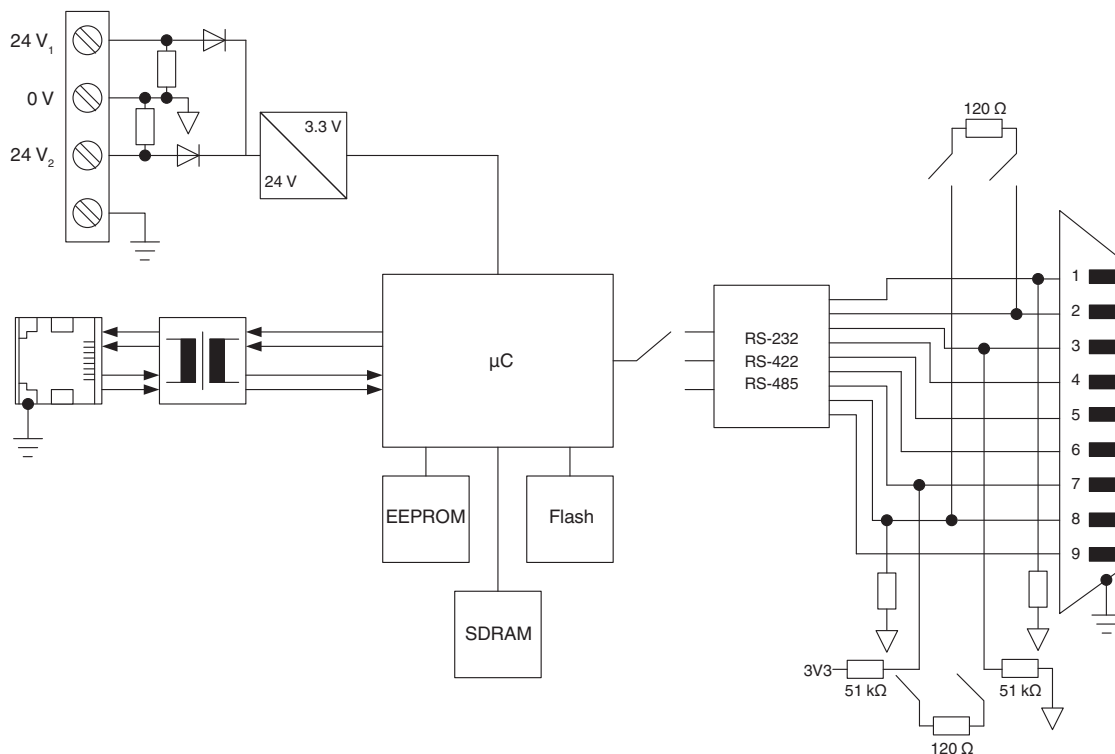
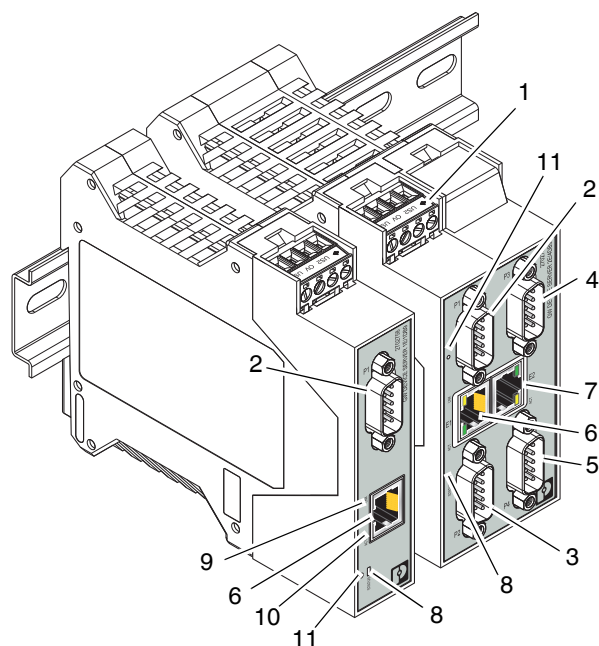


Figure 1 Block diagram

5.2 Structure



- 1 Power connector
- 2 D-SUB 9 connector, port 1 (P1)
- 3 D-SUB 9 connector, port 2 (P2)
- 4 D-SUB 9 connector, port 3 (P3)
- 5 D-SUB 9 connector, port 4 (P4)
- 6 Ethernet port, RJ45 (E1)
- 7 Ethernet port, RJ45 (E2)
- 8 Status LED
- 9 Ethernet activity status LED
- 10 Ethernet link status LED
- 11 Reset button

Figure 2 Structure



Figure 2 shows the GW...1E/1DB9 and GW...2E/4DB9 variants. Other variants are similar.

6 Installation

6.1 LEDs

LED	Color	Meaning
STATUS	Green	The STATUS LED flashes while the device is booting (approximately 15 seconds). After booting, the LED blinks approximately every ten seconds. An internal error is indicated by three flashes every five seconds.
LNK	Green	Link LED. On indicates Ethernet network is connected.
ACT	Yellow	Activity LED. Flashing indicates data transfer activity.

6.2 Data interfaces

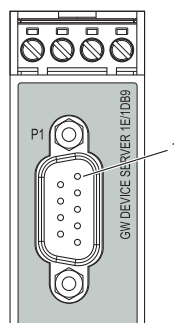


Figure 3 Pin 1 location

6.2.1 RS-232 interface



The V.24 (RS-232) interface of the GW ...E/...DB9 is a data terminal equipment (DTE) assignment.

The D-SUB 9 connector may function as an RS-232, RS-422, or RS-485 interface. The RS-232 interface is a data terminal equipment (DTE) port that behaves like a personal computer (PC). A null modem cable or adapter is required to connect to a PC.

Connect the GW ...E/...DB9 to the V.24 (RS-232) device to be connected (for example, a PC) by way of the PSM-KA-9SUB 9/BB/2 METER V.24 (RS-232) cable (Order No. 2799474). The cable is an interface cable with 1:1 connected contacts.

GW ...E/...DB9		Signal direction	End device	
Pin	RS-232 (DTE)		D-SUB 9 (DCE)	D-SUB 9 (DTE)
1	DCD	<-	1	4
2	RxD	<-	2	3
3	TxD	->	3	2
4	DTR	->	4	1, 6
5	GND		5	5
6	DSR	<-	6	4
7	RTS	->	7	8
8	CTS	<-	8	7
9	RI	<-	9	-

6.2.2 RS-422, RS-485 four-wire interface

Four-wire RS-422 and RS-485 supports full-duplex communication. Phoenix Contact recommends using twisted-pair shielded cables with the shields terminated at a common point.

GW ...E/...DB9		Signal direction	End device
Pin	RS-422/485 4 wire		RS-422/485 4 wire
2	T(A)-	<-	Tx-
3	D(A)-	->	Rx-
5	GND		
7	D(B)+	->	Rx+
8	T(B)+	<-	Tx+

6.2.3 RS-485 interface

Two-wire RS-485 supports half-duplex communication. Phoenix Contact recommends using twisted-pair shielded cables with the shields terminated at a common point.

GW ...E/...DB9		Signal direction	End device
Pin	RS-485 2 wire		RS-485 2 wire
3	D(A)-	<->	Rx/Tx-
5	GND		
7	D(B)+	<->	Rx/Tx+

Termination resistors

Termination resistors must be activated on the first and last device in an application consisting of an RS-422 of a RS-485 network. The termination resistors are integrated into the GW ...E/...DB9 and can be switched on via the web-based management interface.

6.2.4 Ethernet interface

The GW ... has an Ethernet interface on the front in RJ45 format to which only twisted-pair cables with an impedance of 100 Ω can be connected. The data transmission rate is either 10 or 100 Mbps. The GW ...E/...DB9 supports the auto negotiation function for automatic selection of the transmission speed, as well as an automatic crossover feature for the automatic selection of line or crossover cabling.

If the GW... has two Ethernet ports, the GW ...E/...DB9 is classified as a switch. When using only one port, it is a simple end-node device. The maximum number of daisy-chained GW ...E/...DB9 device servers and gateways, and the maximum distance between nodes, is based on the Ethernet standard and will be determined by your own environment and the conformity of your network to these standards.

7 Startup and configuration

7.1 Web-based management

The user-friendly, web-based management (WBM) interface can manage GW ...E/...DB9 device servers and gateways from anywhere in the network using a standard browser. Comprehensive configuration and diagnostic functions, including a wide range of information about the GW ...E/...DB9, the current parameters, and the operating state, are clearly displayed on a graphical format.

The default network settings of the GW ...E/...DB9 are:

IP address: 192.168.254.254

Subnet mask: 255.255.255.0

Gateway: 0.0.0.0

Enter the credentials to access the WBM configuration pages. The default credentials are:

User name: Admin

Default password: admin

7.2 Resetting the GW ...E/...DB9

If you need to reset the GW ...E/...DB9 to factory settings, there are two methods available.

7.2.1 Hardware reset

The reset button allows resetting the device without the use of a PC.

To force a hardware reset:

1. With the device powered off, press and hold the reset button. Apply power and hold the reset button for at least five seconds. Reinitializing the module and firmware reset may take some time. Do not disconnect from power (see [Figure 2](#) for the location of the reset button).
2. After a successful reset, the module returns to the factory default address (192.168.254.254).

7.2.2 Software reset

1. Start the WBM and navigate to the “Device Maintenance/Restore Defaults” page.
2. Click the “Check the box to confirm” check box on the page.
3. Click the “Apply Changes” button.
4. After a successful reset, the GW ...E/...DB9 will return to the factory default address (192.168.254.254).

8 Application examples

8.1 GW DEVICE SERVER...

Serial tunneling

A common application is simple point-to-point connection of two serial devices via an Ethernet network. The data is tunneled through the network to remove any range restrictions, such as a maximum of 15 m for V.24 (RS-232). This connection also operates across sub-networks and gateways. The GW DEVICE SERVER... at each end is logically linked to the other by specifying the target and source IP addresses.

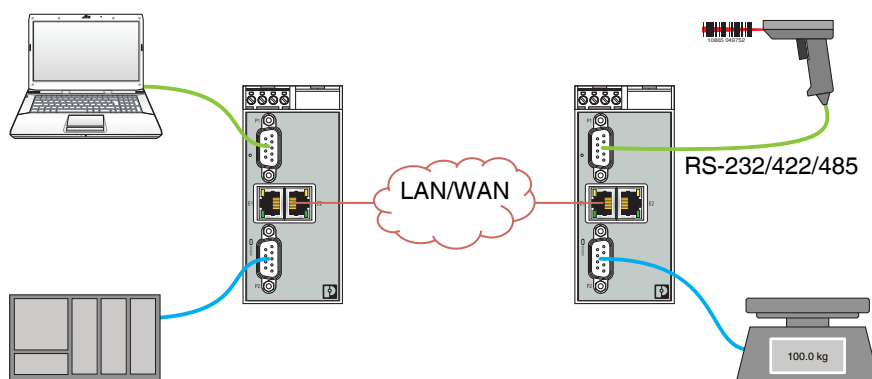


Figure 4 Serial tunneling

It is also possible to multiplex data from multiple serial ports on multiple GW DEVICE SERVER... servers to a single serial port on a GW DEVICE SERVER...

Virtual COM port

Existing application software that only communicates via serial COM interfaces can be redirected to remote COM ports. Virtual COM ports must be created on the PC that the software uses for communication. The virtual COM ports are physically redirected to the network card and a destination IP in the network. There are two options for creating virtual COM ports: the COM port redirector software, or the GW DEVICE SERVER... Windows driver. Both can be downloaded from phoenixcontact.com.

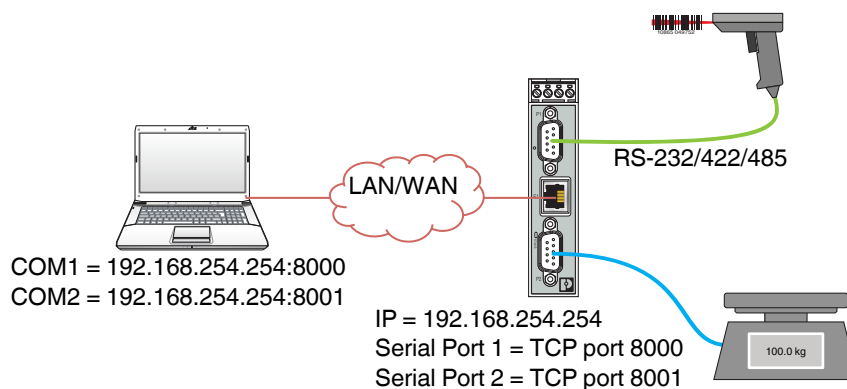


Figure 5 Virtual COM port

8.2 GW MODBUS TCP/RTU...

Modbus RTU to Modbus TCP conversion

The lifetime of legacy serial Modbus RTU/ASCII devices can easily be extended using the GW MODBUS TCP/RTU... gateways to convert to Modbus TCP. A serial Modbus slave can be connected to a Modbus TCP master, or vice versa.

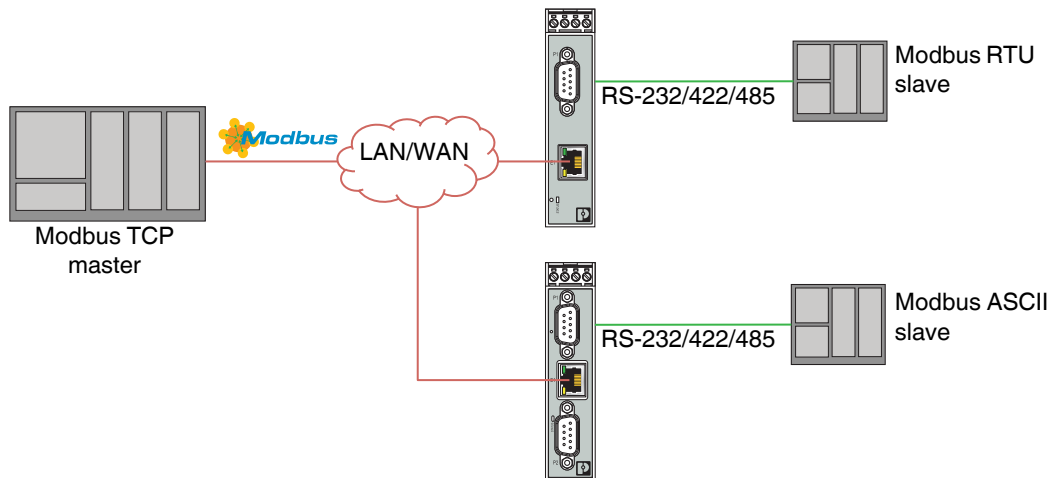


Figure 6 Serial Modbus RTU/ASCII slave to Modbus TCP master

Modbus master-to-master communication

The “Shared Memory” feature provides a simple and robust method for Modbus master-to-master communication. In this case, the GW MODBUS TCP/RTU... emulates a Modbus slave, and each Modbus master can read or write to the “shared” memory in order to exchange data. Any serial or Ethernet-based Modbus master can access the shared memory.

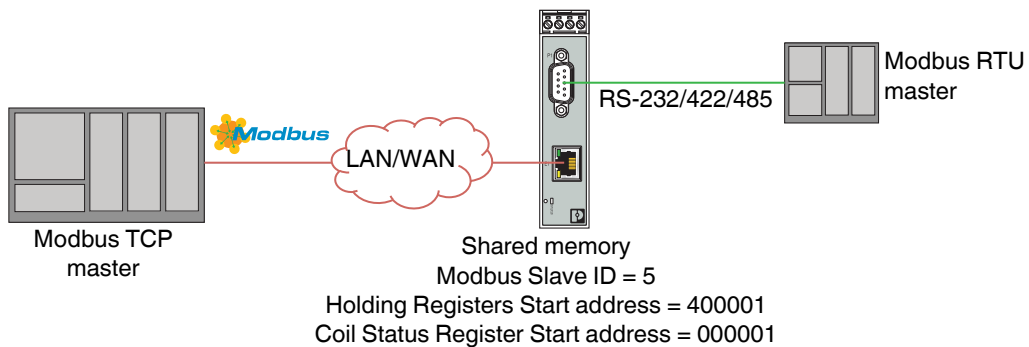


Figure 7 Modbus Master-to-Master communication using shared memory

Modbus device ID offset

When multiple serial Modbus slaves with fixed Device IDs are connected to multiple serial ports on the GW MODBUS TCP/RTU... it is possible to address them separately using the Device ID offset functionality.

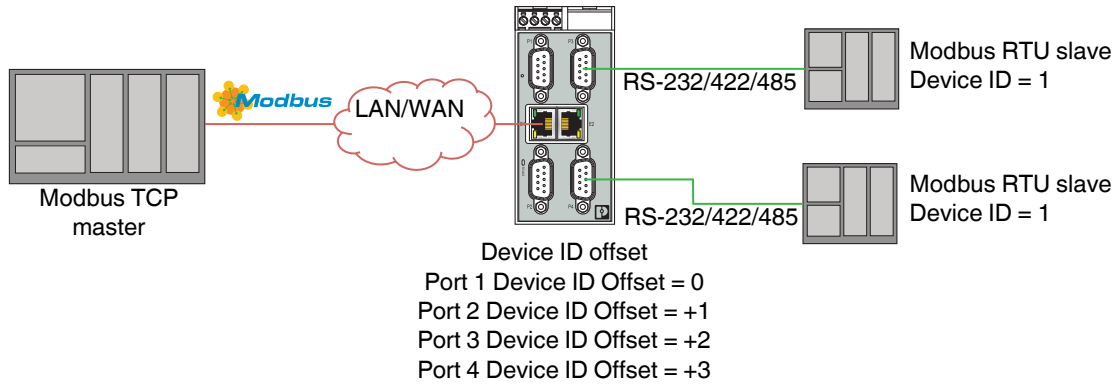


Figure 8 Serial Modbus slaves with the same Device ID on a multiport GW MODBUS TCP/RTU...

8.3 GW EIP/MODBUS...

Flexible, bidirectional communication between EtherNet/IP controller and Modbus ASCII/RTU/TCP masters and slaves.

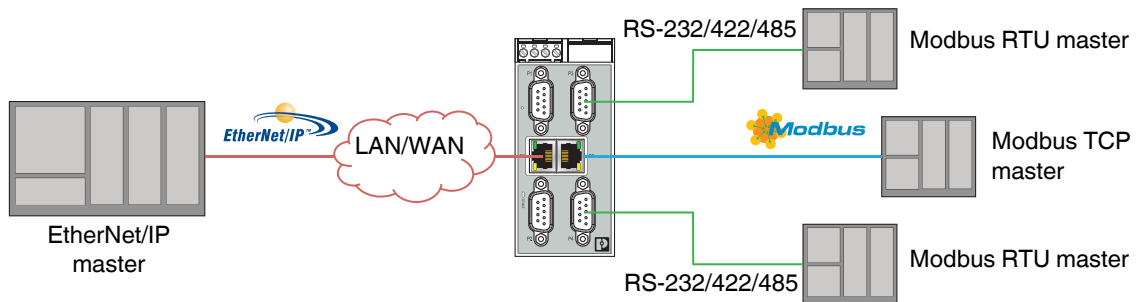


Figure 9 EtherNet/IP to Modbus ASCII/RTU/TCP

8.4 GW MODBUS TCP/ASCII...

The ASCII to Modbus TCP gateways enable the integration of ASCII serial or TCP/IP barcode scanners, RFID readers, weigh scales, vision systems and encoders, etc., directly into a Modbus TCP control system. The ASCII strings are mapped into Modbus registers.

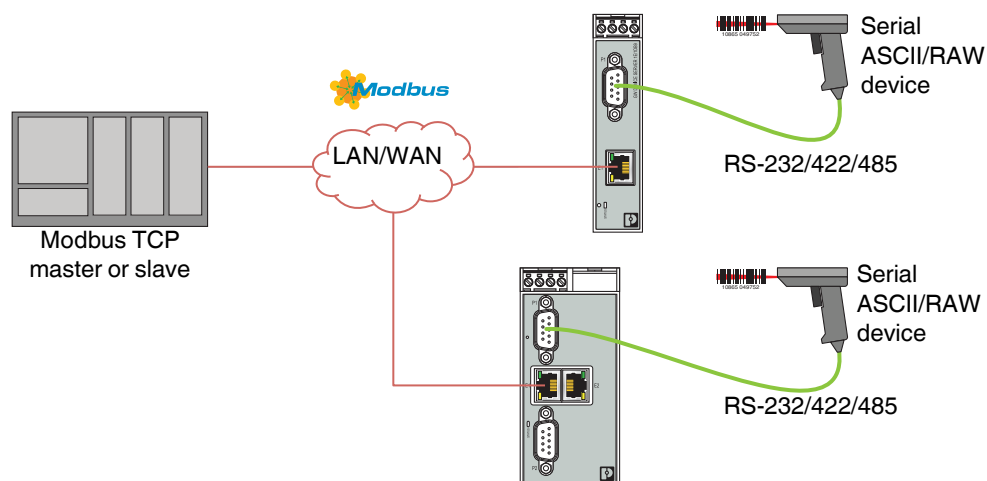


Figure 10 Barcode scanner to Modbus connections

8.5 GW EIP/ASCII...

The ASCII to EtherNet/IP gateways enable the integration of ASCII serial or TCP/IP barcode scanners, RFID readers, weigh scales, vision systems and encoders, etc., directly into an EtherNet/IP control system. The ASCII strings are mapped into EtherNet/IP messages.

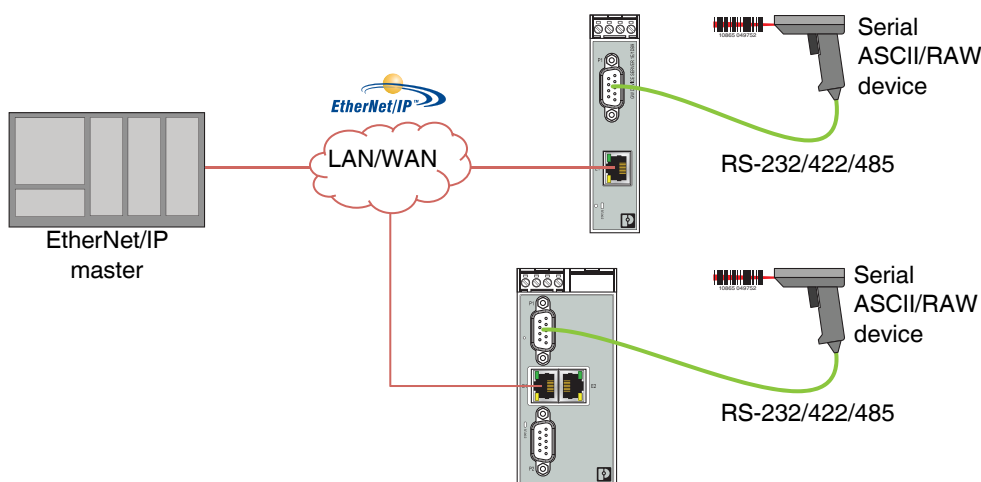


Figure 11 Barcode scanner to EtherNet/IP connections

8.6 GW PN/ASCII...

The ASCII to EtherNet/IP gateways enable the integration of ASCII serial or TCP/IP barcode scanners, RFID readers, weigh scales, vision systems and encoders, etc., directly into a PROFINET IO control system. The ASCII strings are mapped into PROFINET IO messages.

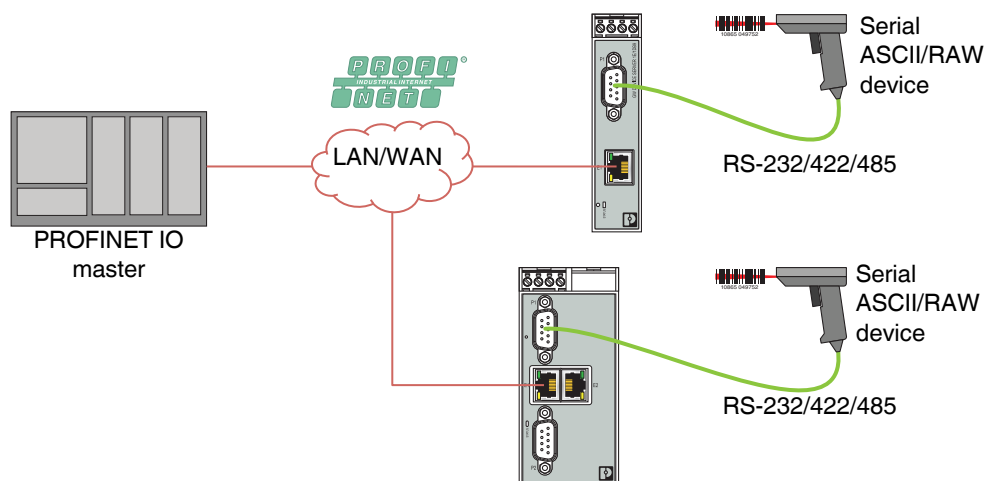


Figure 12 Barcode scanner to PROFINET IO connections